

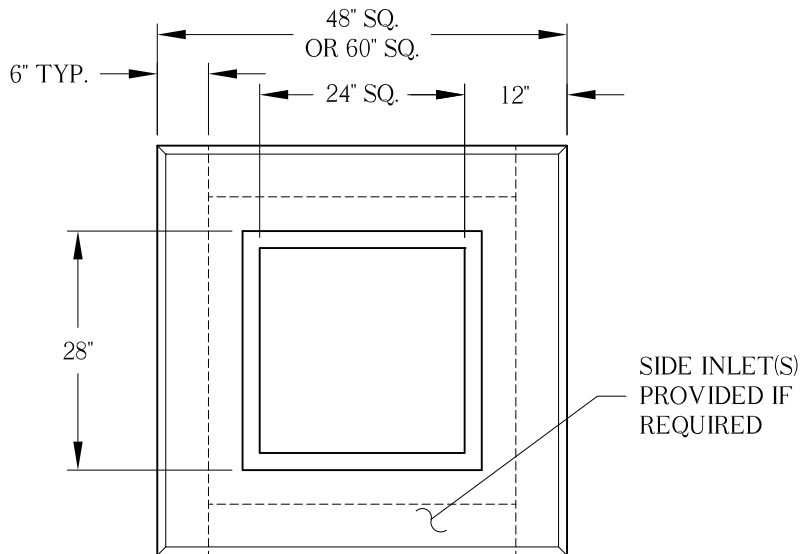


7415 Diley Road
Canal Winchester, OH 43110

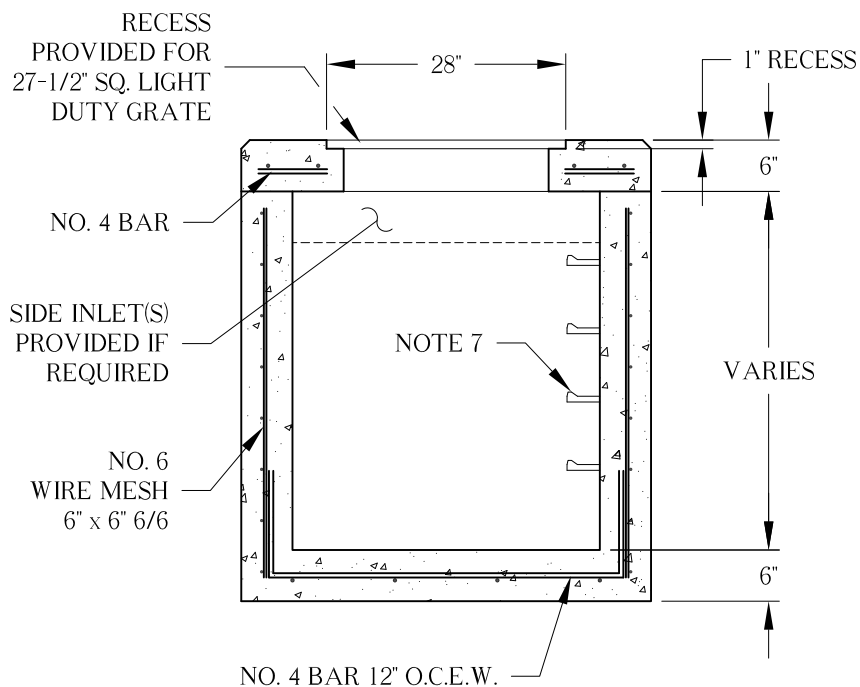
Phone (614) 837-8444
Toll Free (800) 438-2880
Fax (614) 837-1198

3' x 3' CATCH BASIN
4' x 4' CATCH BASIN

On Target for Quality Precast Concrete Products and Waste Water Treatment Systems



TOP VIEW



SECTION VIEW

NOTES:

1. Concrete 4,000 P.S.I. at 28 days minimum.
2. Cast iron is optional.
3. Holes for pipe are 2" larger than pipe O.D.
4. Conforms to O.D.O.T. standard construction drawing CB 2-3 & 2-4.
5. Tops also available 52" & 64" square for field built structures.
6. Heavy duty angle frame (cast-in) also available for traffic area.
7. Steps are M.A. Industries polypropolene on 12" centers.