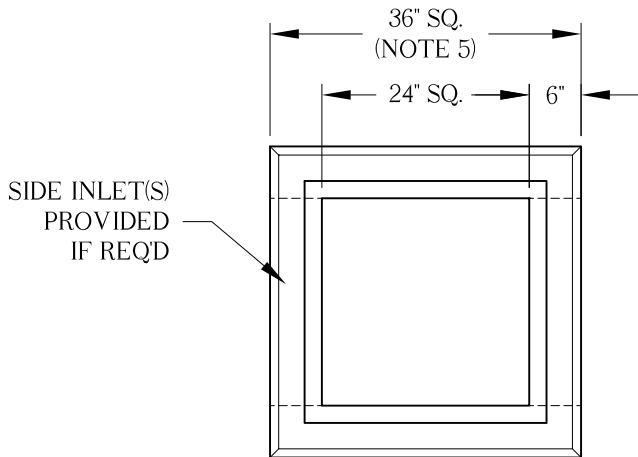




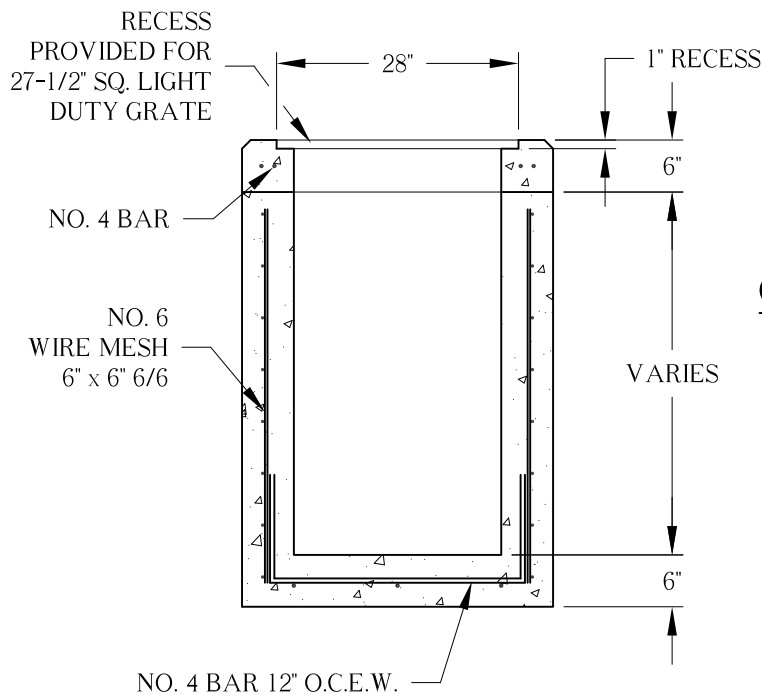
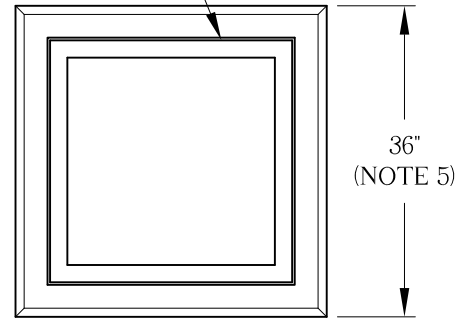
## 2' x 2' CATCH BASIN

On Target for Quality Precast Concrete Products and Waste Water Treatment Systems

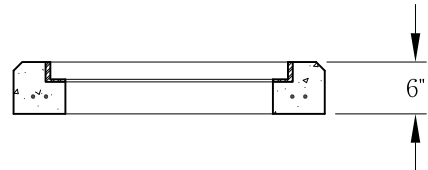


TOP VIEW

ANGLE FRAME FOR  
HEAVY DUTY GRATE



SECTION VIEW



OPTIONAL HEAVY DUTY TOP

**NOTES:**

1. Concrete 4,000 P.S.I. at 28 days minimum.
2. Cast iron is optional.
3. Holes for pipe are 2" larger than pipe O.D.
4. Conforms to City of Columbus std. construction drawing AA-S133, S134 & ODOT CB 2-2-B, 2-2-A.
5. Tops also available 40" square for field built structures.