

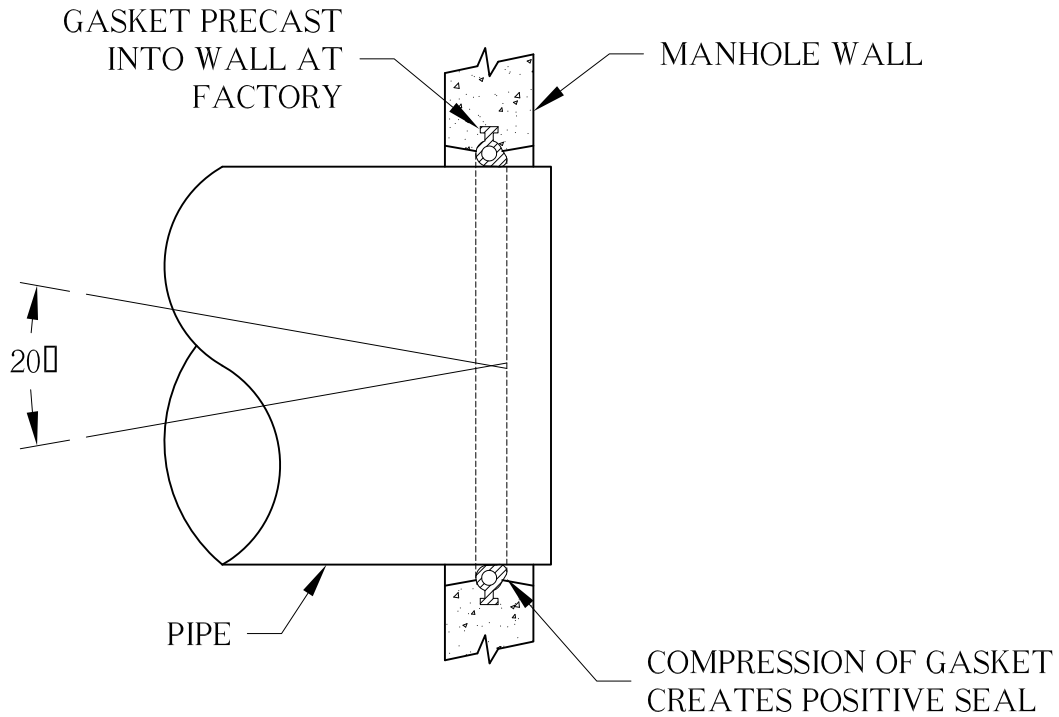


7415 Diley Road
Canal Winchester, OH 43110

Phone (614) 837-8444
Toll Free (800) 438-2880
Fax (614) 837-1198

MANHOLE GASKET FACTORY INSTALLED A-LOK

On Target for Quality Precast Concrete Products and Waste Water Treatment Systems



NOTES:

1. Conforms to ASTM C-923.
2. Diameter ranges from 12" RCP to 72" RCP.
3. Material - isoprene rubber.
4. Durability - not affected by hydrochloric acid.
5. Lubricate pipe & gasket, shove pipe into place for a positive seal.

