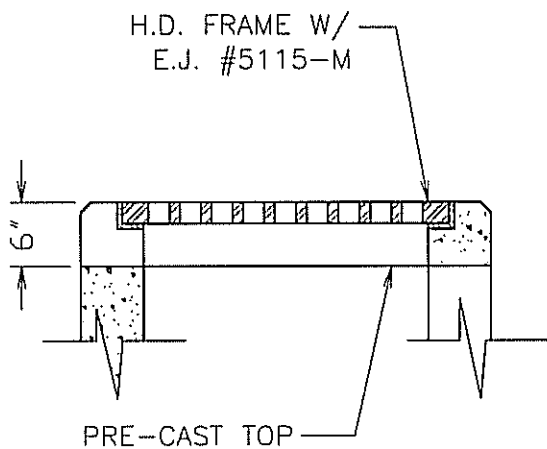
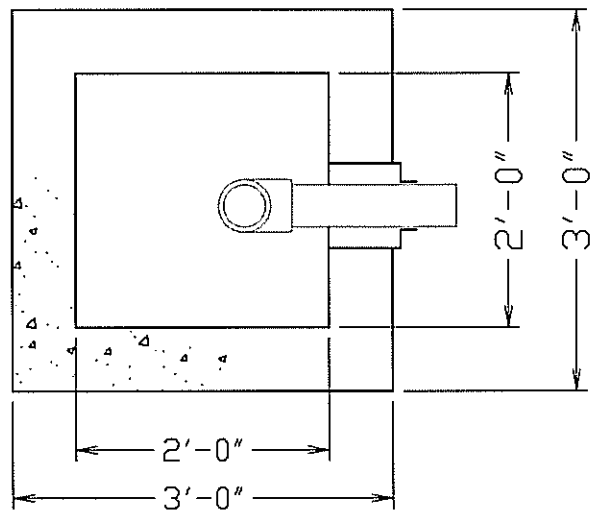
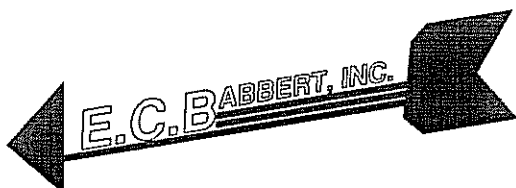
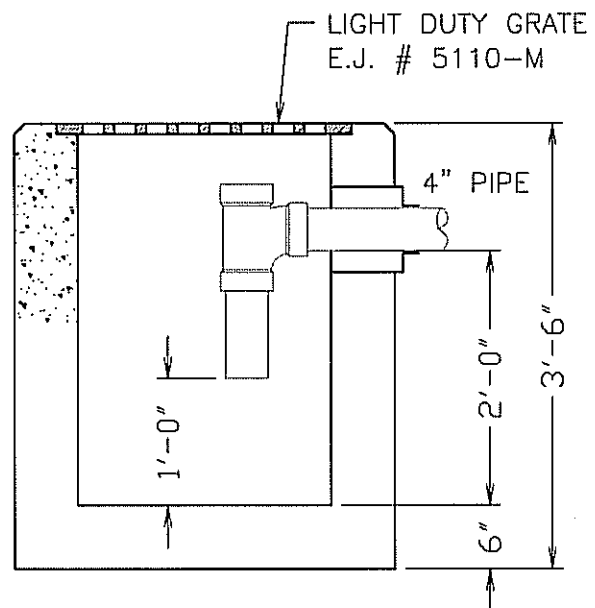


OPTIONAL LOOSE FRAME & GRATE.
POUR FLOOR TO EDGE OF
FRAME (FOR USE IN FLOOR
SLABS ONLY)



OPTIONAL TOP W/ FRAME.
FLOOR POUR TO EDGE OF
TOP IF USED IN SLAB.



7415 Diley Road
Canal Winchester, OH 43110

Phone (614) 837-8444
Fax (614) 837-1198

TITLE:

2'-0" X 2'-0" SAND TRAP

ST-2

SCALE:

DRWN BY:

DATE: