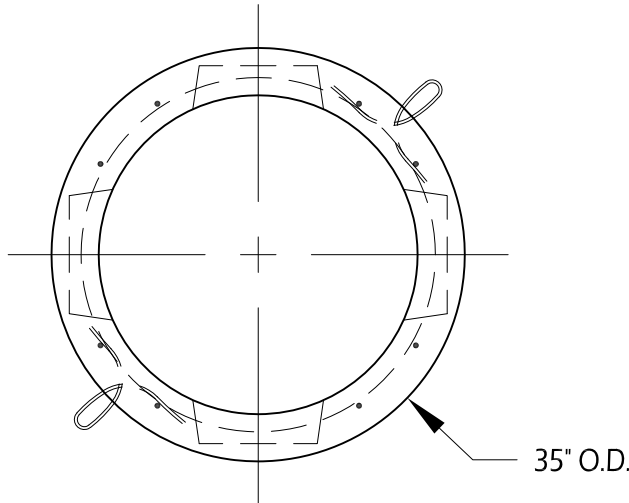


**NOTES:**

1. Concrete 5,000 PSI at 28 days, minimum, with 6% ±2% air entrapment.
2. Use ASTM A615, Grade 60, deformed reinforcing bars.
3. Galvanized aircraft cable for pick-ups.
4. One coat of Enviro Seal 40 concrete sealant applied to interior and exterior.
5. Concrete materials meet ODOT specifications.



**PLAN VIEW**

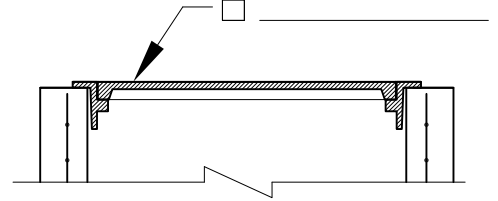
(W/CASTING REMOVED)

NEENAH R-1792-GL,  
TYPE "C" LID LETTERED

- "ELECTRICAL"
- "COMMUNICATIONS"
- "TRAFFIC"

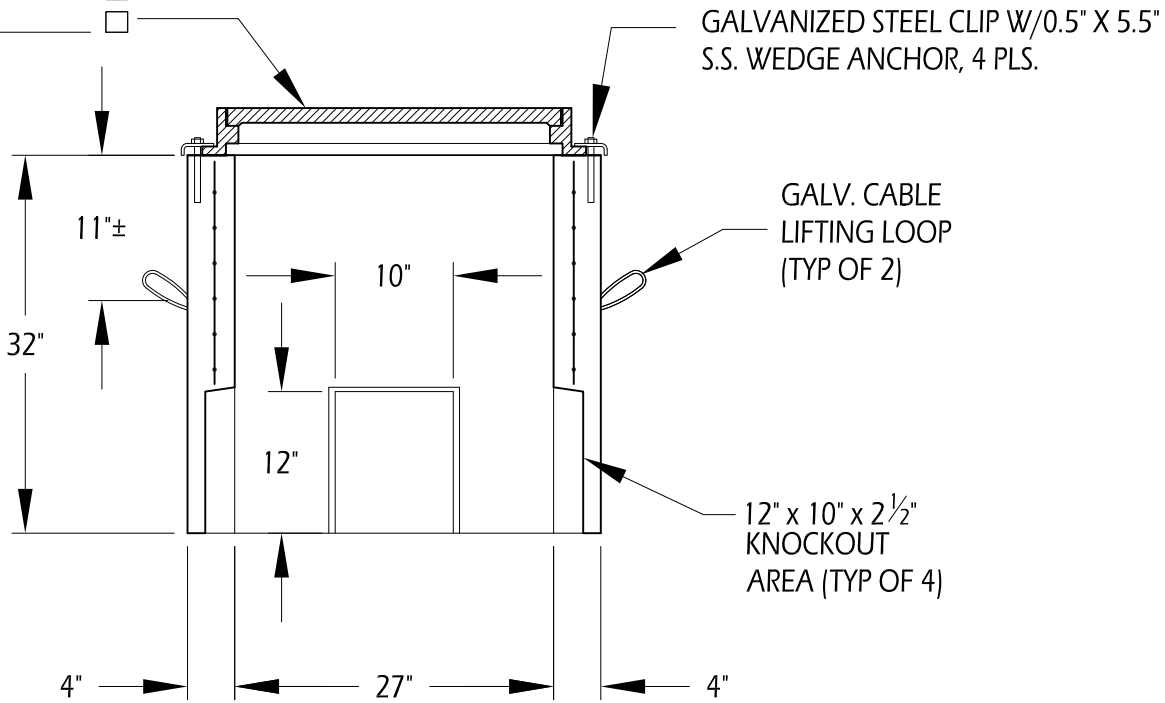
NEENAH R-5900-F,  
TYPE "C" LID LETTERED

- "ELECTRICAL"
- "COMMUNICATIONS"
- "TRAFFIC"



**OPTIONAL CASTING**

(WHEN PULL BOX IS PLACED  
ENTIRELY IN A DIRT AREA)



**SECTION VIEW**



7415 Diley Road  
Canal Winchester, OH 43110

Phone (614) 837-8444  
Fax (614) 837-1198

**27" PULL BOX**

Product ID: PB2732C

Drawn by: CC

Scale: n/a

Date: 4/16/12