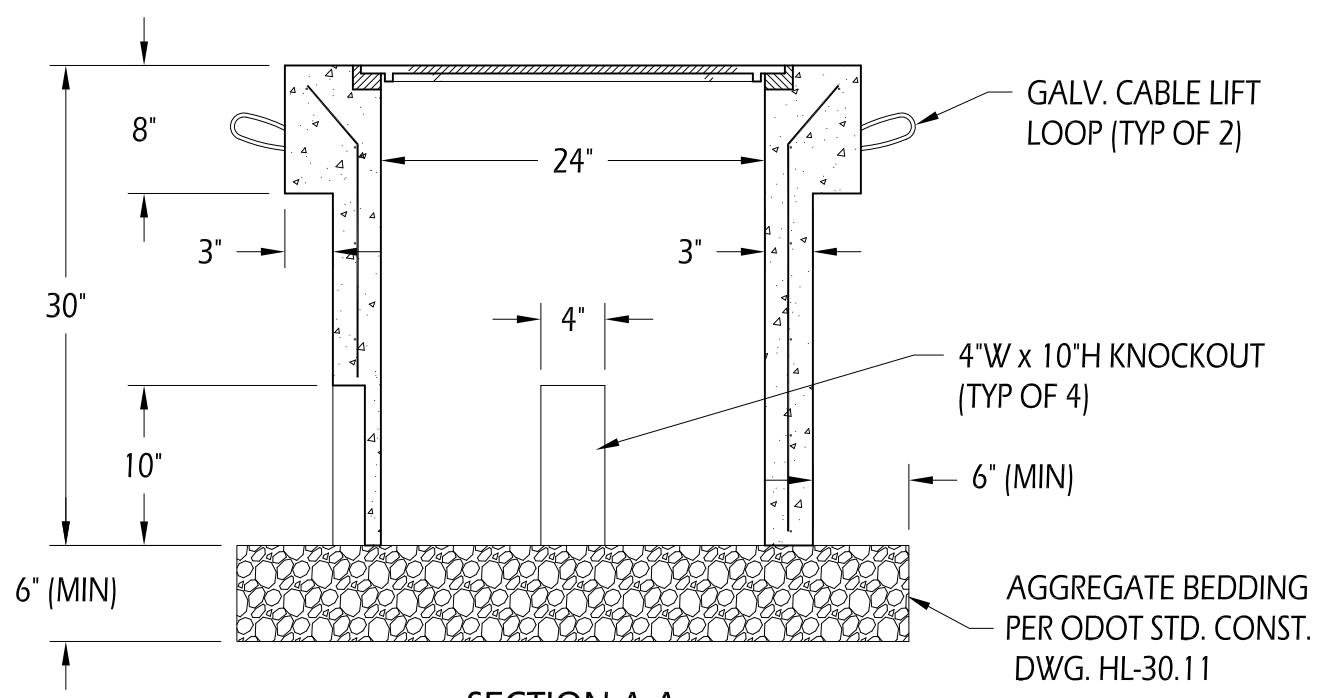


EJIW 8054 FRAME & COVER,  
 LETTERED:  TRAFFIC (-TR)  OTHER (-C)  
 ELECTRIC (-E)  LIGHTING (-L)

PLAN VIEW



SECTION A-A

NOTE: Concrete 4,500 PSI @ 28 days, minimum.



7415 Diley Road Phone (614) 837-8444  
 Canal Winchester, OH 43110 Fax (614) 837-1198

**24" PULL BOX HL-30.11**  
**ODOT 725.08-B.2**  
**W/CAST IRON FRAME & COVER**

|                  |                  |                |
|------------------|------------------|----------------|
| Product ID: PB24 |                  |                |
| Drawn by: CC     | Scale: 1" = 1'0" | Date: 11/14/11 |