

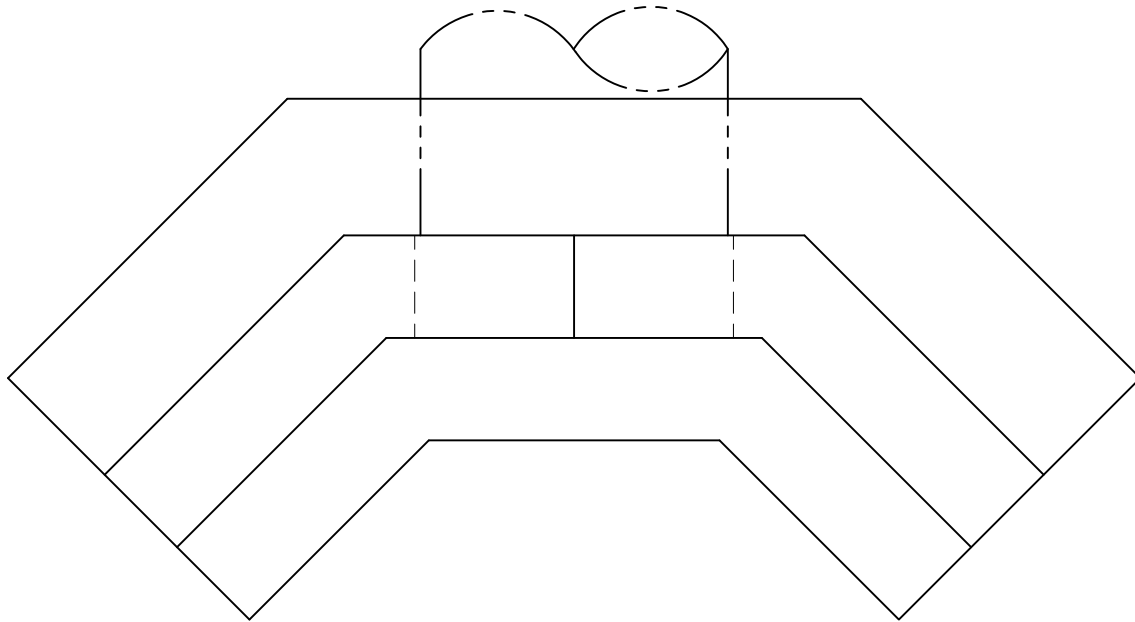


7415 Diley Road  
Canal Winchester, OH 43110

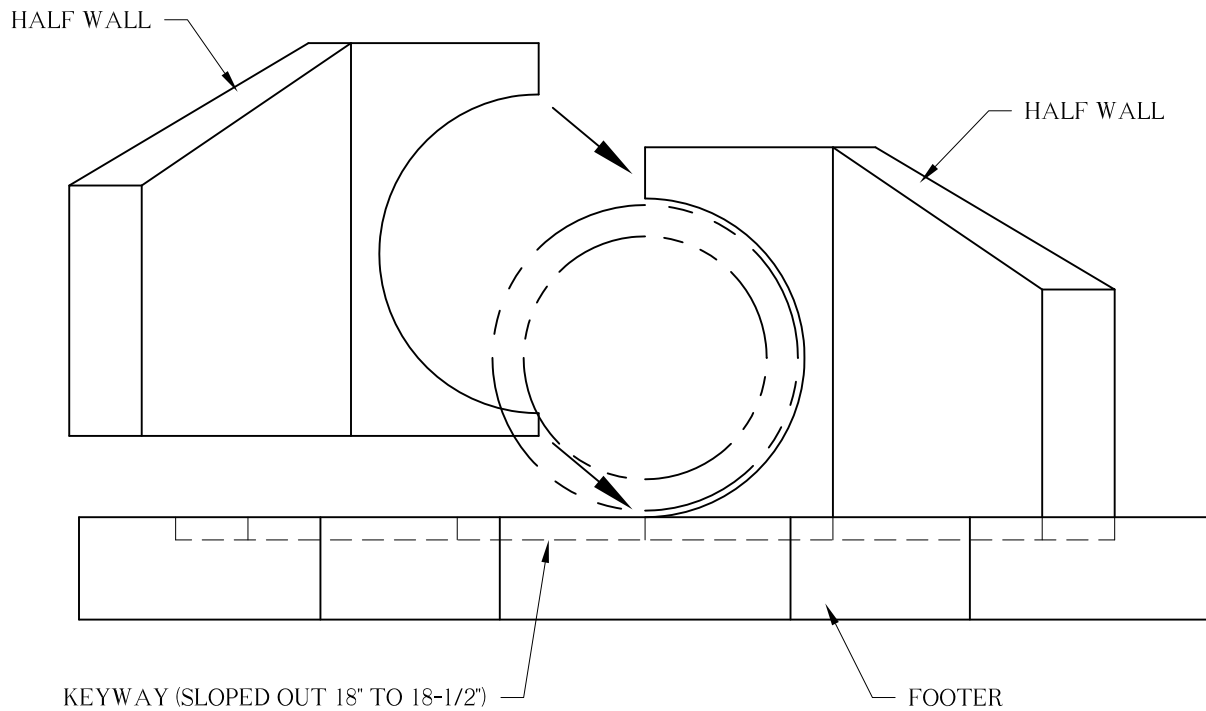
Phone (614) 837-8444  
Toll Free (800) 438-2880  
Fax (614) 837-1198

# PIPE CULVERT WINGWALL

On Target for Quality Precast Concrete Products and Waste Water Treatment Systems



TOP VIEW



FRONT VIEW

**NOTES:**

1. Set on 6" bedding conforming to City of Columbus 901.11 & exceed footer dimensions by 6".
2. Reinforcing conforms to City of Columbus standard drawing AA-S167.
3. Call for pricing and additional details.