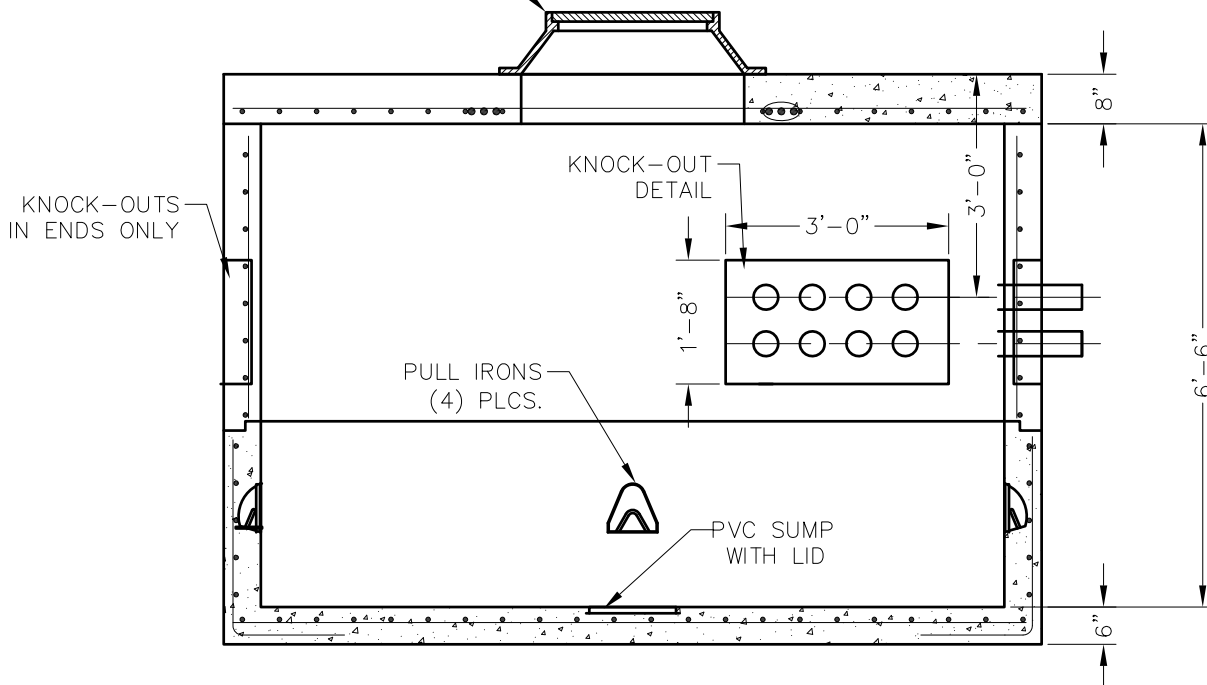


NEENAH R-1640-C



NOTE:

1. CONCRETE: 5,000PSI MIN @ 28 DAYS
2. REINFORCING IS GRADE 60 STEEL
3. MANUFACTURED PER ASTM C-858



7415 Diley Road  
Canal Winchester, OH 43110

Phone (614) 837-8444  
Fax (614) 837-1198

TITLE: COMMUNICATION MANHOLE  
6'x10'

SCALE:  
NONE

DRWN BY:  
DCO

DATE:  
11/15/12