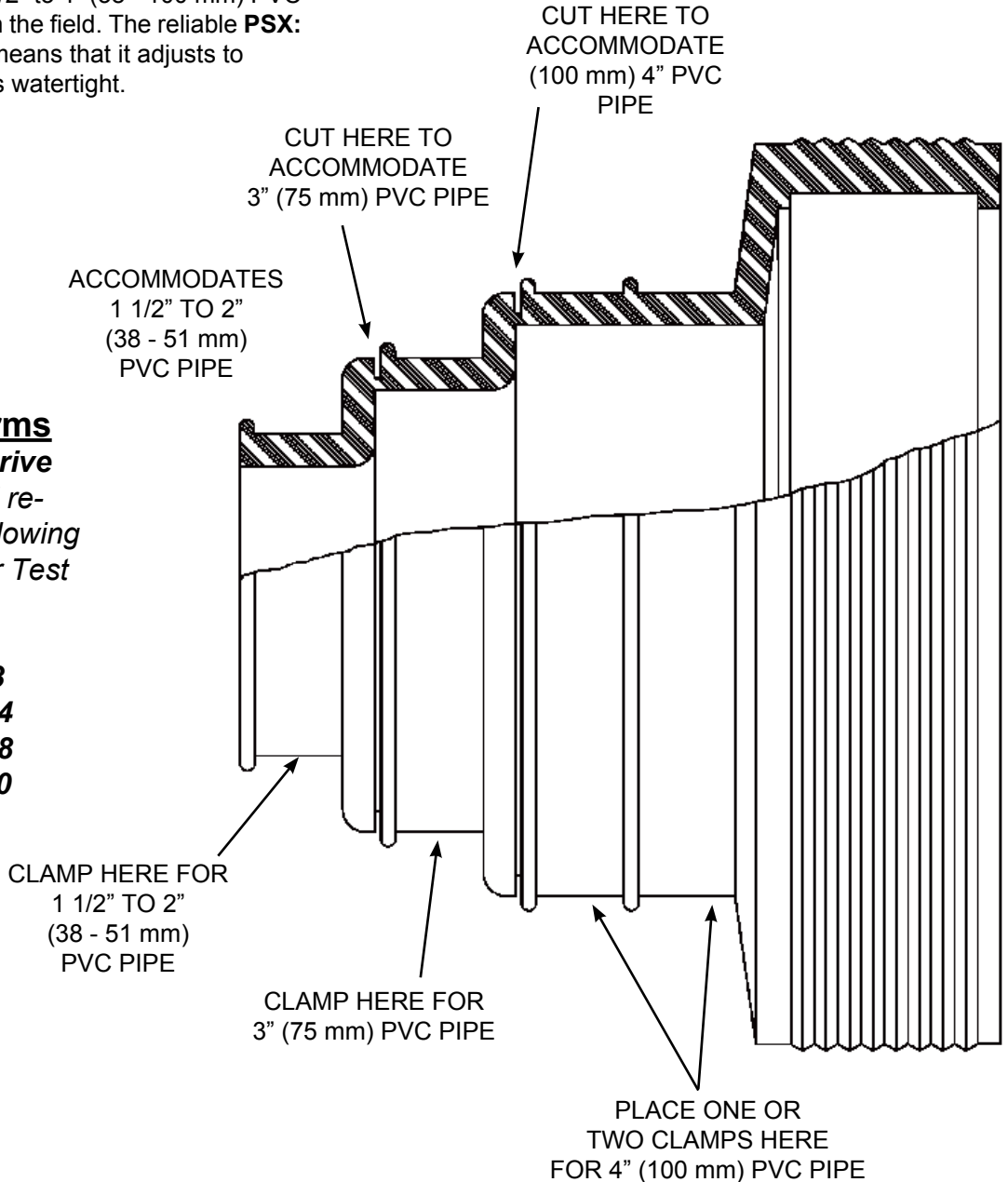




What It Is

8QRS PSX: Direct Drive provides a simple method for installing small diameter pipes into manholes or other structures. The unique design of **8QRS** allows it to be easily adapted to 1-1/2" to 4" (38 - 100 mm) PVC pipes, either in the plant or in the field. The reliable **PSX: Direct Drive** power sleeve means that it adjusts to almost any 8" hole and seals watertight.



How It Performs

8QRS PSX:Direct Drive meets or exceeds all requirements of the following Specifications and/or Test Methods:

- ASTM C 923**
- ASTM C 1244**
- ASTM C 1478**
- ASTM F 2510**

Protected by one or more of the following patents: 6805359, 7146689, 7263746
Press-Seal believes all information is accurate as of its publication date. Information, specifications, and prices are all subject to change without notice. Press-Seal is not responsible for any inadvertent errors. Copyright 2012.