

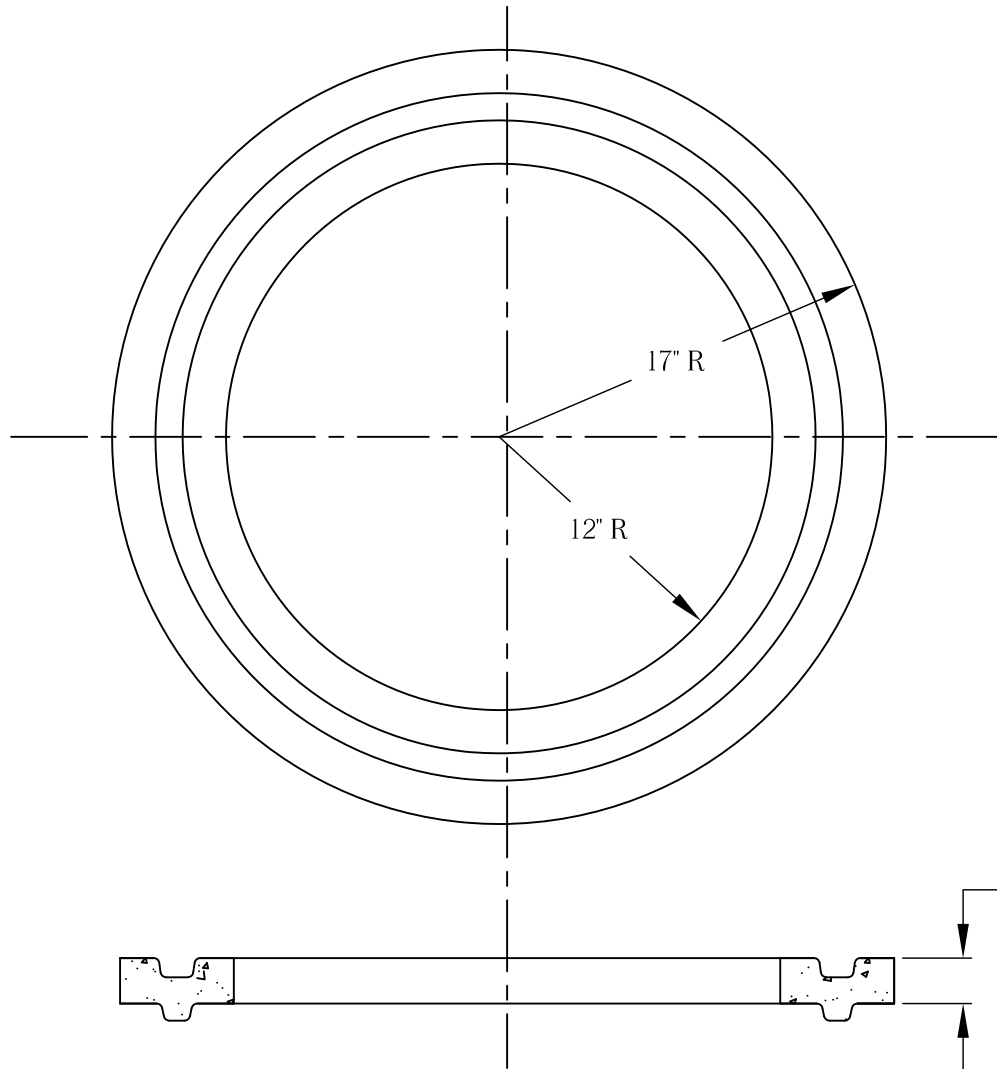


7415 Diley Road
Canal Winchester, OH 43110

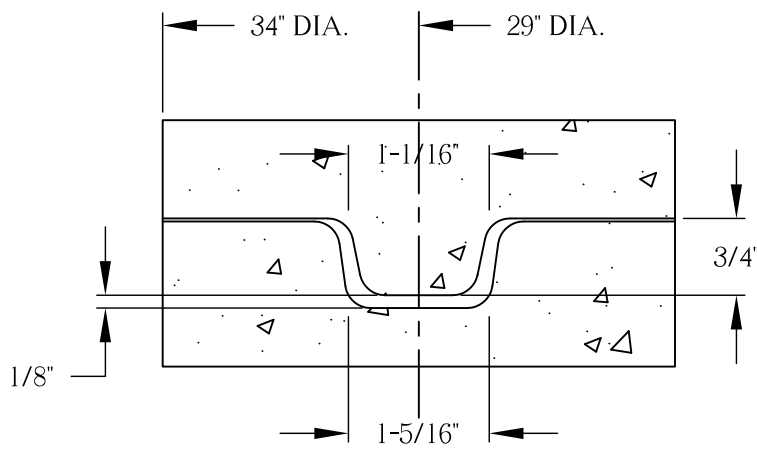
Phone (614) 837-8444
Toll Free (800) 438-2880
Fax (614) 837-1198

PRECAST GRADE ADJUSTMENT RINGS

On Target for Quality Precast Concrete Products and Waste Water Treatment Systems



H = 2", 3", 4" or 6"



JOINT DETAIL